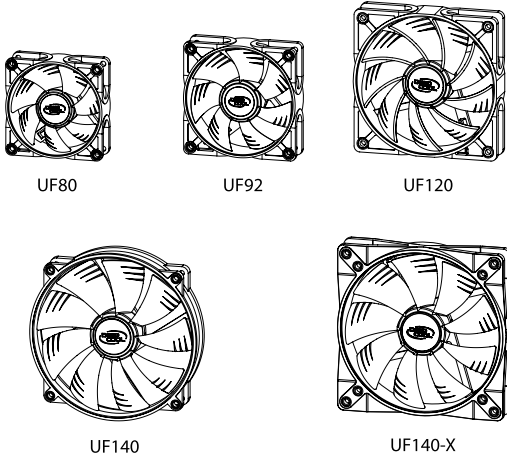




INSTALLATION GUIDE

安装说明书

This installation is applicable for all UF FAN series.
此说明书适用于九州风神UF包胶风扇系列产品。



PRODUCT SCHEMATIC DRAWING
产品示意图

CAUTION:

1. All specifications subject to change without notice.
2. Under no condition shall Deepcool be liable for any indirect, incidental or consequential damages arising from any defect or error in this manual or product.
3. Please ask for professional help if you are not sure of safe installation.
4. Installation manual in other languages is available on our website: www.deepcoolglobal.com.

警告声明:

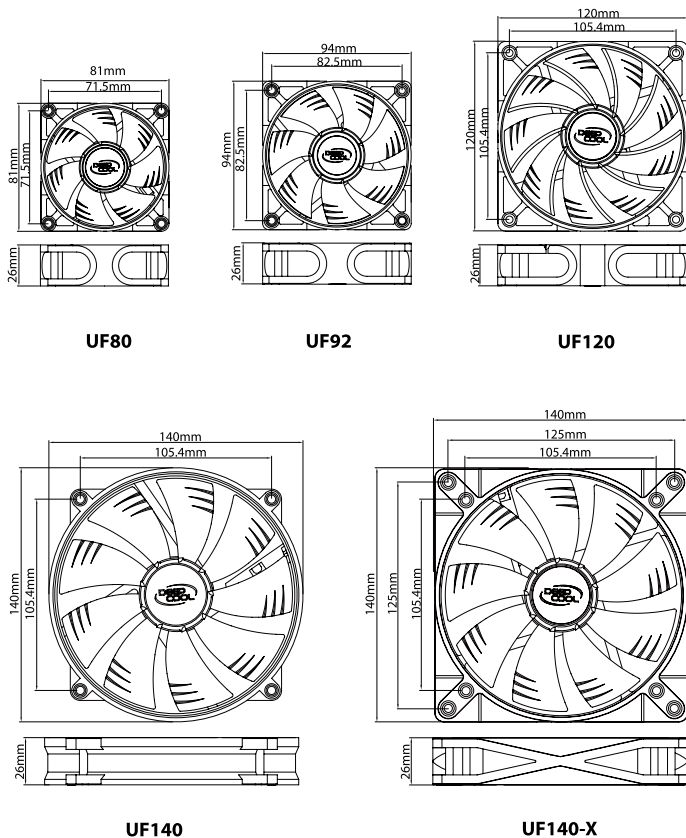
1. 本公司有权在未事先通知的情况下对本说明书进行修改，以便改进产品的稳定性、设计及功能。
2. 本说明书之描述内容不代表本公司之承诺，对于任何因安装或使用不当而造成直接、间接、有意、无意的损坏及隐患，本公司概不负责。
3. 在无法掌握操作方法前需请求专业人士帮助，严禁在未掌握操作要领的前提下使用本产品。
4. 若需对本公司产品了解更多信息，请浏览我们的网页：www.deepcoolglobal.com

Beijing Deepcool Industries Co., Ltd.
<http://www.deepcoolglobal.com>

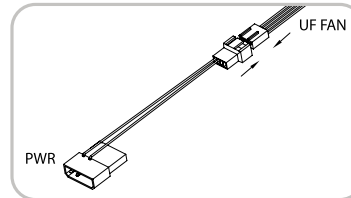
MADE IN CHINA

出品: 北京市九州风神科贸有限责任公司
地址: 北京市中关村科技园区

FAN DIMENSIONS 风扇尺寸图

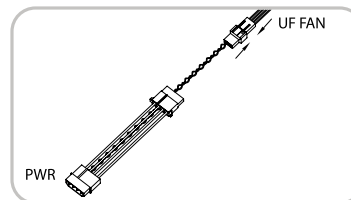


Notes for 3 Adapters 转接线说明



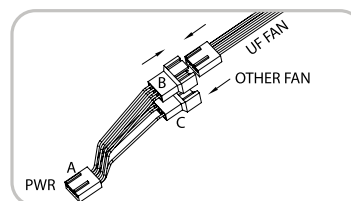
4-pin PSU Adapter:
Connect the small 4-pin male connector to the UF fan; Connect the big 4-pin connector to PSU; Input Voltage will be fixed at 12V and UF fan will run at corresponding high speed.

大4PIN电源转接线:
UF风扇连接如图示箭头; 另一端接入机箱电源, 散热风扇输入电压12V, 风扇以定转模式高速运转。



Low-noise Adapter(7V):
Connect the small 4-pin male connector to the UF fan; Connect the big 4-pin connector to PSU; Input Voltage will be fixed at 7V and UF fan will run at corresponding speed with low noise.

7V降速线:
UF风扇连接如图示箭头; 另一端接入机箱电源大4PIN端子, 散热风扇输入电压固定在7V, 风扇以相应低噪音模式低速运转。



4-pin Y-shape Adapter:
Plug 4-pin connector A onto motherboard PWM 4-pin header; Connect 2 fans to B&C connector; both fans will run with PWM signal from the motherboard.
Note: Only Fan B's speed signal can be detected by the motherboard.

PWM V型连接线:
A端子接入主板PWM-4针插座, B、C两个端子可分别驱动两个PWM风扇, 风扇以PWM调速模式运转。注: B端子连接风扇的转速信号可被主板正确侦测。