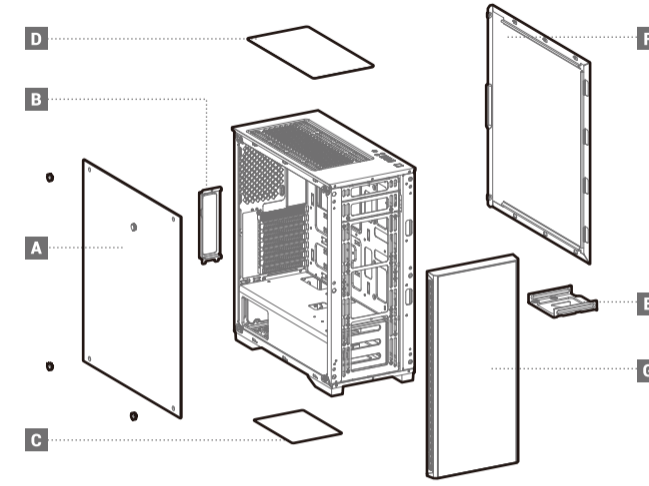


# MATREXX 50

Mid-Tower Case

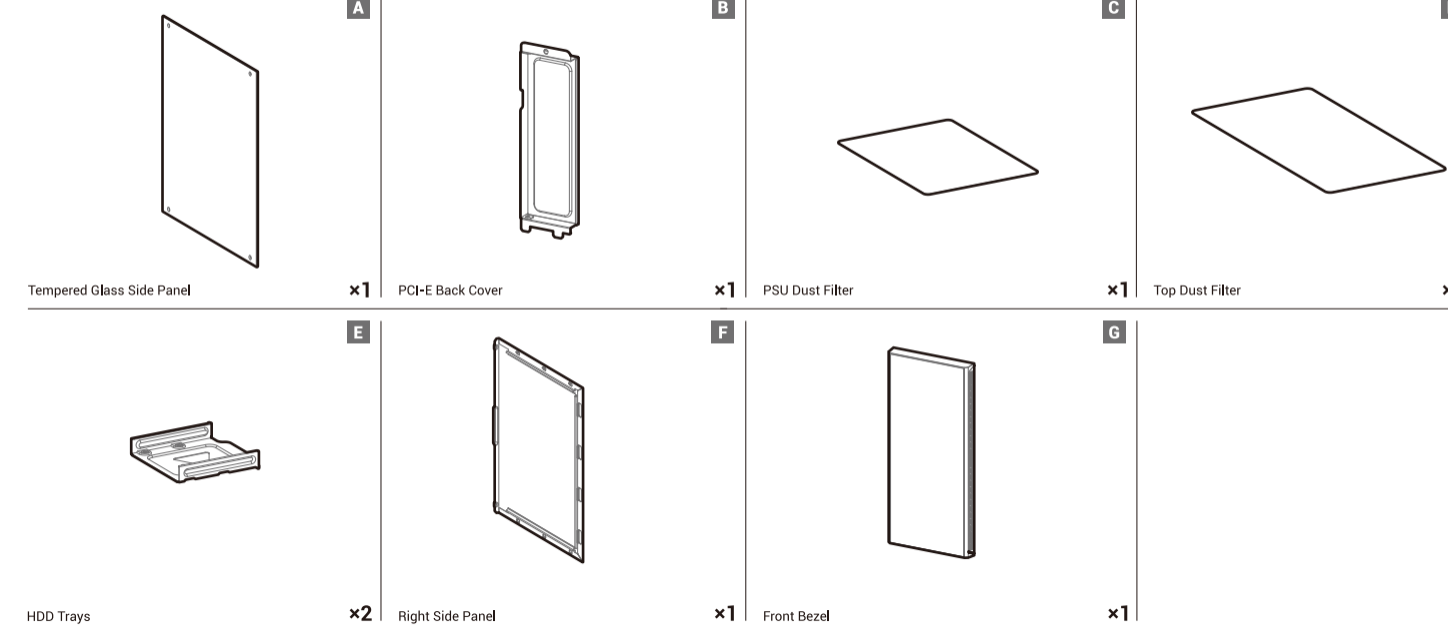


## Case Features

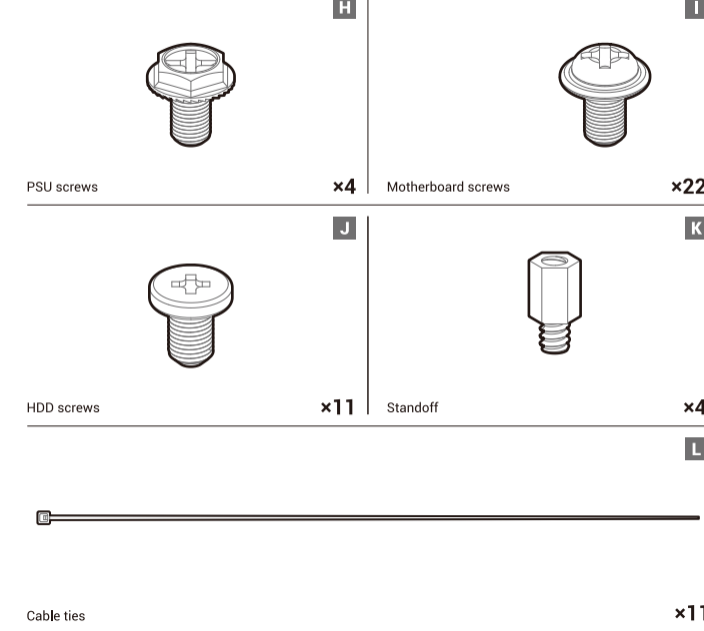


### Case Specifications

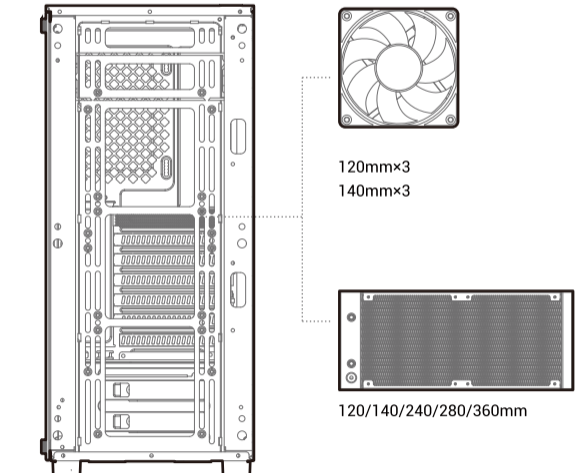
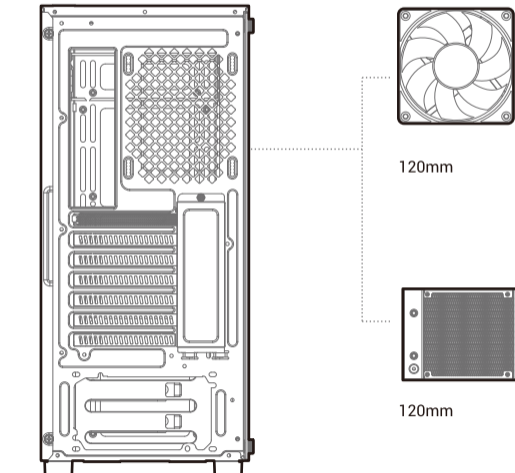
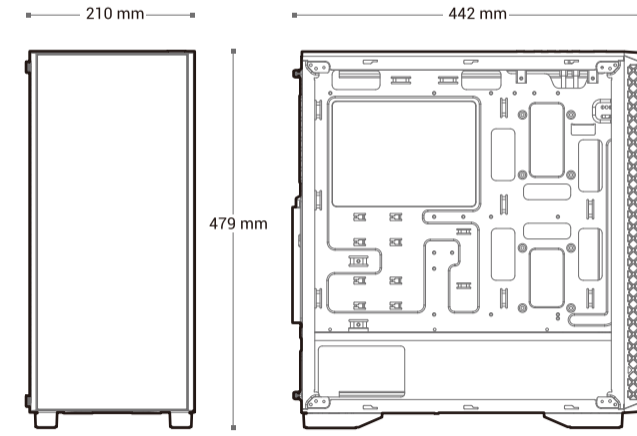
Length: 442mm    Maximum GPU length: 370mm    Radiator compatibility: Front: 120/140/240/280/360mm    Fan locations: Front: 3x 120/3x 140mm  
 Width: 210mm    Maximum PSU length: 170mm    Top: 120/140/240mm    Rear: 120mm  
 Height: 479mm    Maximum CPU cooler height: 160mm    Rear: 120mm



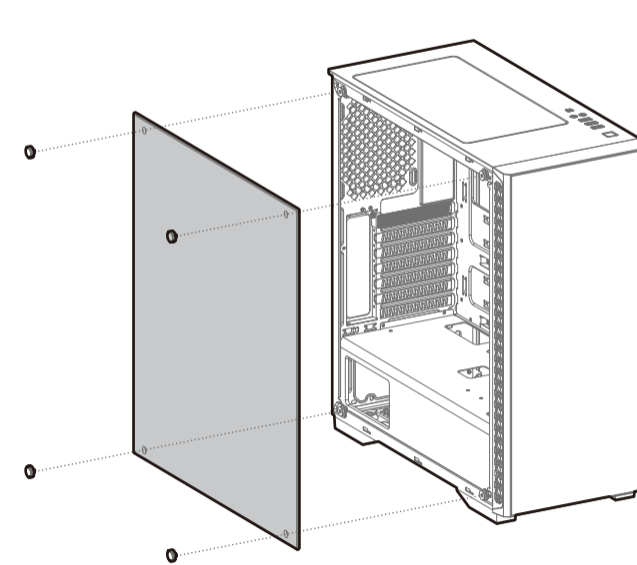
## Accessory Kit Contents



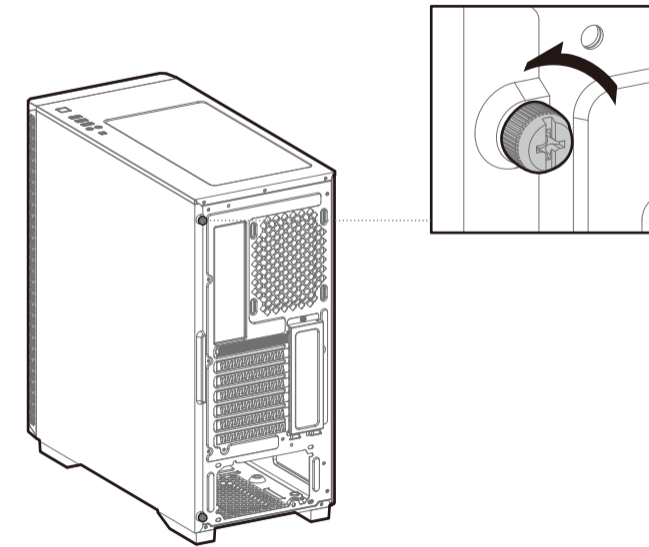
## Specifications



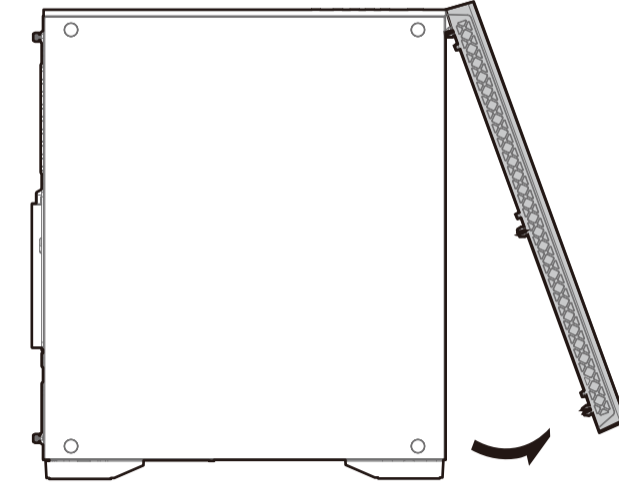
## Removing the Tempered Glass Side Panel



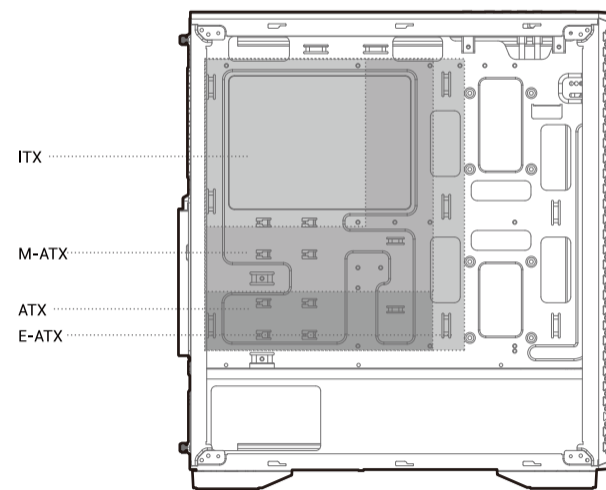
## Removing the Metal Side Panel



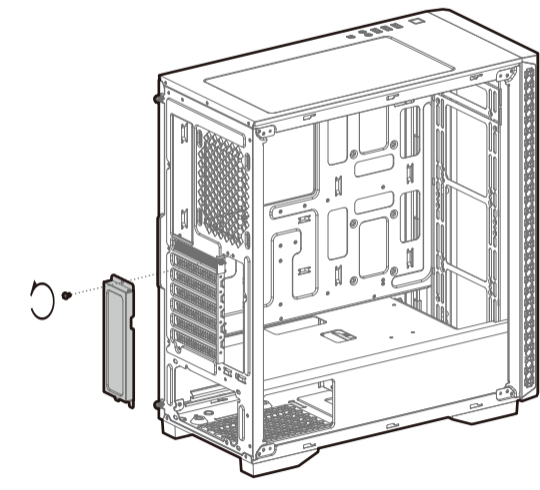
## Removing the Front Panel



## Installing the Motherboard



## Installing the GPU



www.deepcool.com

